

Installation Guide - Python



Please read these instructions carefully before commencing installation and retain for future reference. If in doubt, we advise that you consult a qualified electrician to install the product. These products must not be modified, if modification is made or product is not installed with these installation instructions it will invalidate the warranty and may render the product

Warning

1. For indoor use only.
2. If cable is defective, do not use or exchange the cable.
3. The light source of this luminaire is not replaceable; when the light source reaches its end of life the whole luminaire will need to be replaced.
4. We do recommend that a qualified electrician should be used to install the product.
5. Install in accordance with IEE Wiring regulations and current Building Regulations.
6. This light fitting should be connected to a fused circuit
7. If replacing an existing fitting, make a careful note of the

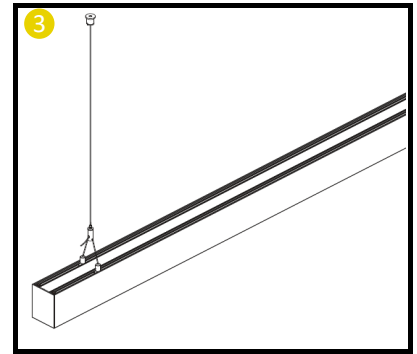
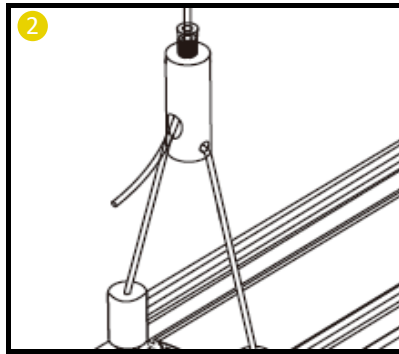
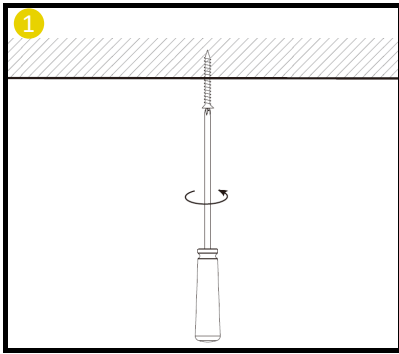
Important safety Notes

1. Switch off the electricity at the mains before commencing installation and remove the appropriate circuit fuse to avoid accidental switching on of the mains supply.
2. Make sure all connections are tight with no loose strands.
3. Ensure fire regulations are not breached when fitting your

Energy Rating

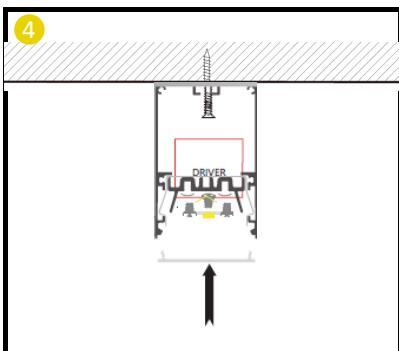
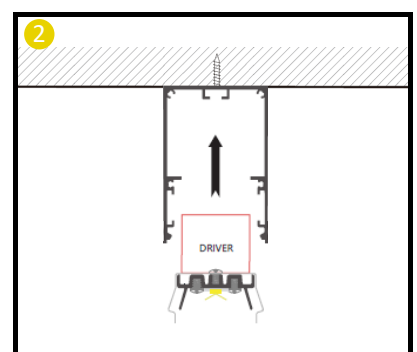
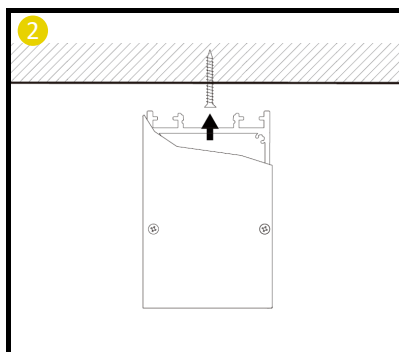
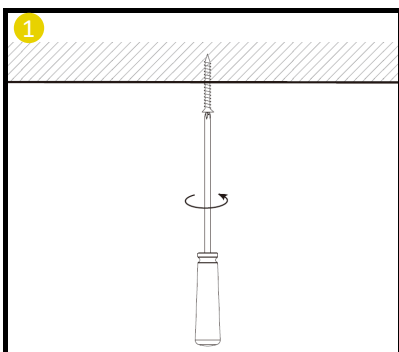
This product contains a light source with an energy rating of **C**

Installation - Suspended



1. Using the Python luminaire as a template, measure the desired fixing centers on the rear of the luminaire (centers will vary depending on product length). Mark these dimensions on to the surface desired and use the appropriate fixing for the substrate. Note: typical centers are product length minus 50mm each end, however these are adjustable along the back of the profile.
2. Mount the wire gripper fixings to the ceiling and offer up the luminaire using the clutch post pictured by depressing the nipple. Adjust to required height and cut off any excess wire.
3. Cut down the power cable to the length required for suspension and terminate to the required junction (see next page for wiring polarity).

Installation - Surface



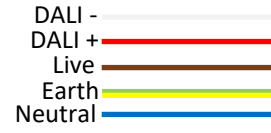
1. Using the Python luminaire as a template, measure the mounting holes on the rear of the luminaire (holes will vary depending on product length). Mark these dimensions on to the surface desired and use the appropriate fixing for the substrate.
2. Obtain the appropriate anchoring fixings and use a suitable tool to fix the profile in place.
3. Terminate to the internal gear using the termination blocks provided - Place the reflector into the profile.
4. Finally attach diffuser into place from end to end

Wiring

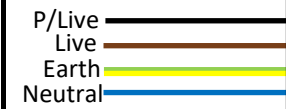
Standard



DALI (-DA)



Standard EM (-E1)



DALI EM (-E3)

