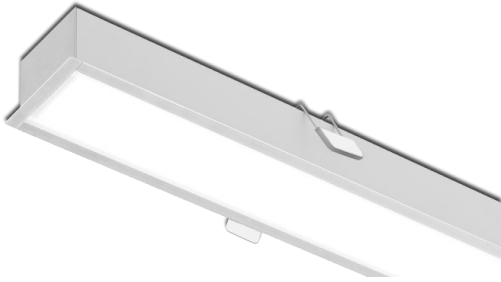


Installation Guide - Annam



Please read these instructions carefully before commencing installation and retain for future reference. If in doubt, we advise that you consult a qualified electrician to install the product. These products must not be modified, if modification is made or product is not installed with these installation instructions it will invalidate the warranty and may render the product

Warning

1. For indoor use only.
2. If cable is defective, do not use or exchange the cable.
3. The light source of this luminaire is not replaceable; when the light source reaches its end of life the whole luminaire will need to be replaced.
4. We do recommend that a qualified electrician should be used to install the product.
5. Install in accordance with IEE Wiring regulations and current Building Regulations.
6. This light fitting should be connected to a fused circuit
7. If replacing an existing fitting, make a careful note of the

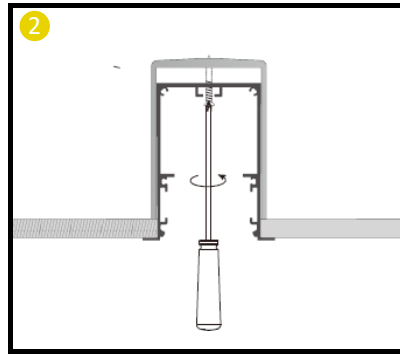
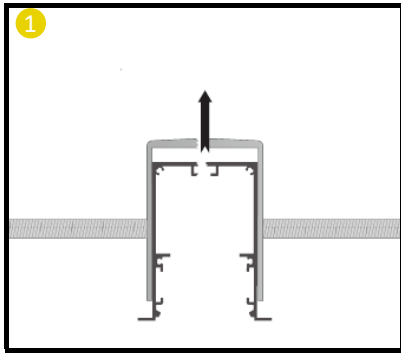
Important safety Notes

1. Switch off the electricity at the mains before commencing installation and remove the appropriate circuit fuse to avoid accidental switching on of the mains supply.
2. Make sure all connections are tight with no loose strands.
3. Ensure fire regulations are not breached when fitting your

Energy Rating

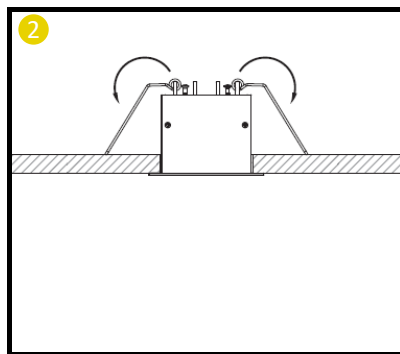
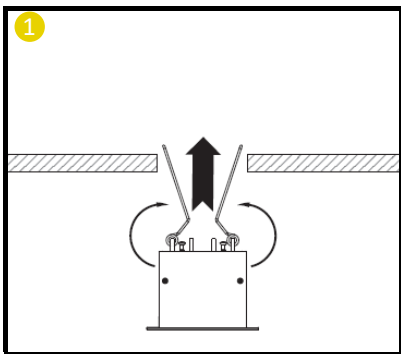
This product contains a light source with an energy rating of **C**

Installation - Clamping Arms



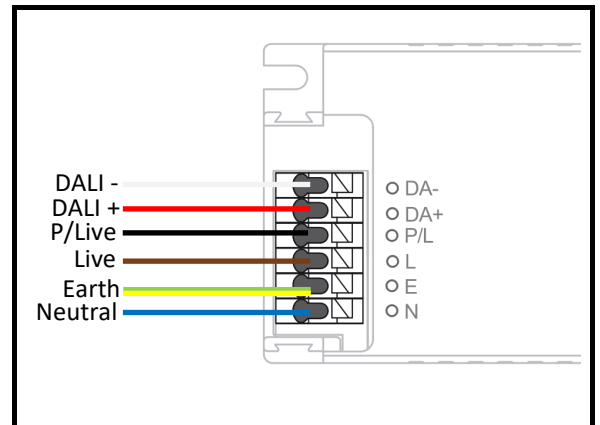
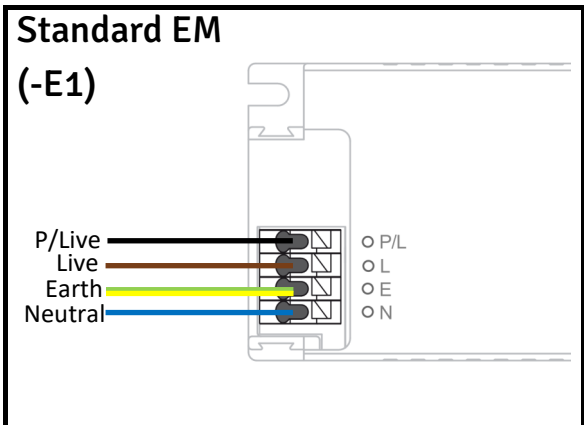
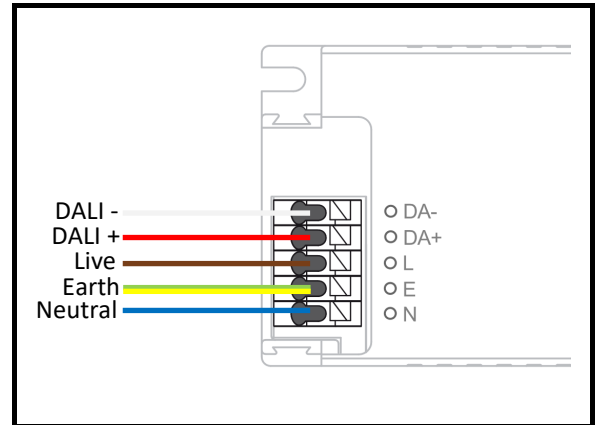
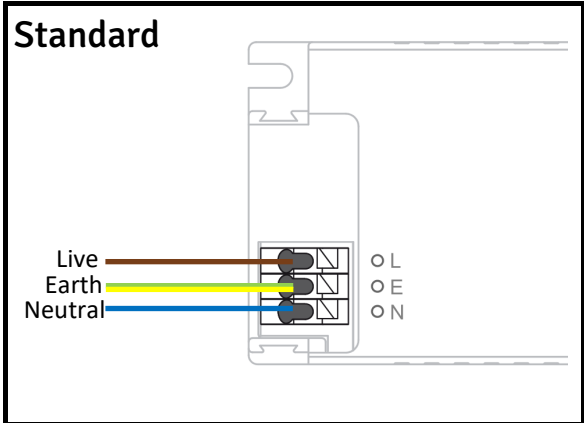
1. Offer up the profile with clamping arms folded in through the cutout pre-made in the ceiling. We Advise to have power feed be terminated into the gearbox at this point (see the wiring diagram on the next page).
2. Screw the brackets screw to fix the profile in place.

Installation - Spring Arms



1. Terminate the power feed to the luminaire gearbox (see the wiring diagram on the next page) and offer the luminaire up to the ceiling with the spring arms pulled back.
2. Feed the luminaire through the cutout pre-made in the ceiling. Ensure the spring arms open without obstruction and let the luminaire house its self into the cutout leaving the diffuser flush with the ceiling plane.

Wiring



**DALI
(-DA)**

**DALI EM
(-E3)**

