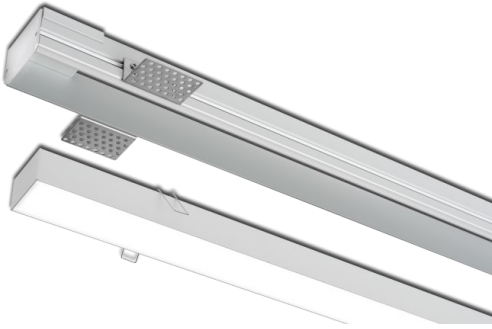


Installation Guide - Angu



Please read these instructions carefully before commencing installation and retain for future reference. If in doubt, we advise that you consult a qualified electrician to install the product. These products must not be modified, if modification is made or product is not installed with these installation instructions it will invalidate the warranty and may render the product

Warning

1. For indoor use only.
2. If cable is defective, do not use or exchange the cable.
3. The light source of this luminaire is not replaceable; when the light source reaches its end of life the whole luminaire will need to be replaced.
4. We do recommend that a qualified electrician should be used to install the product.
5. Install in accordance with IEE Wiring regulations and current Building Regulations.
6. This light fitting should be connected to a fused circuit
7. If replacing an existing fitting, make a careful note of the

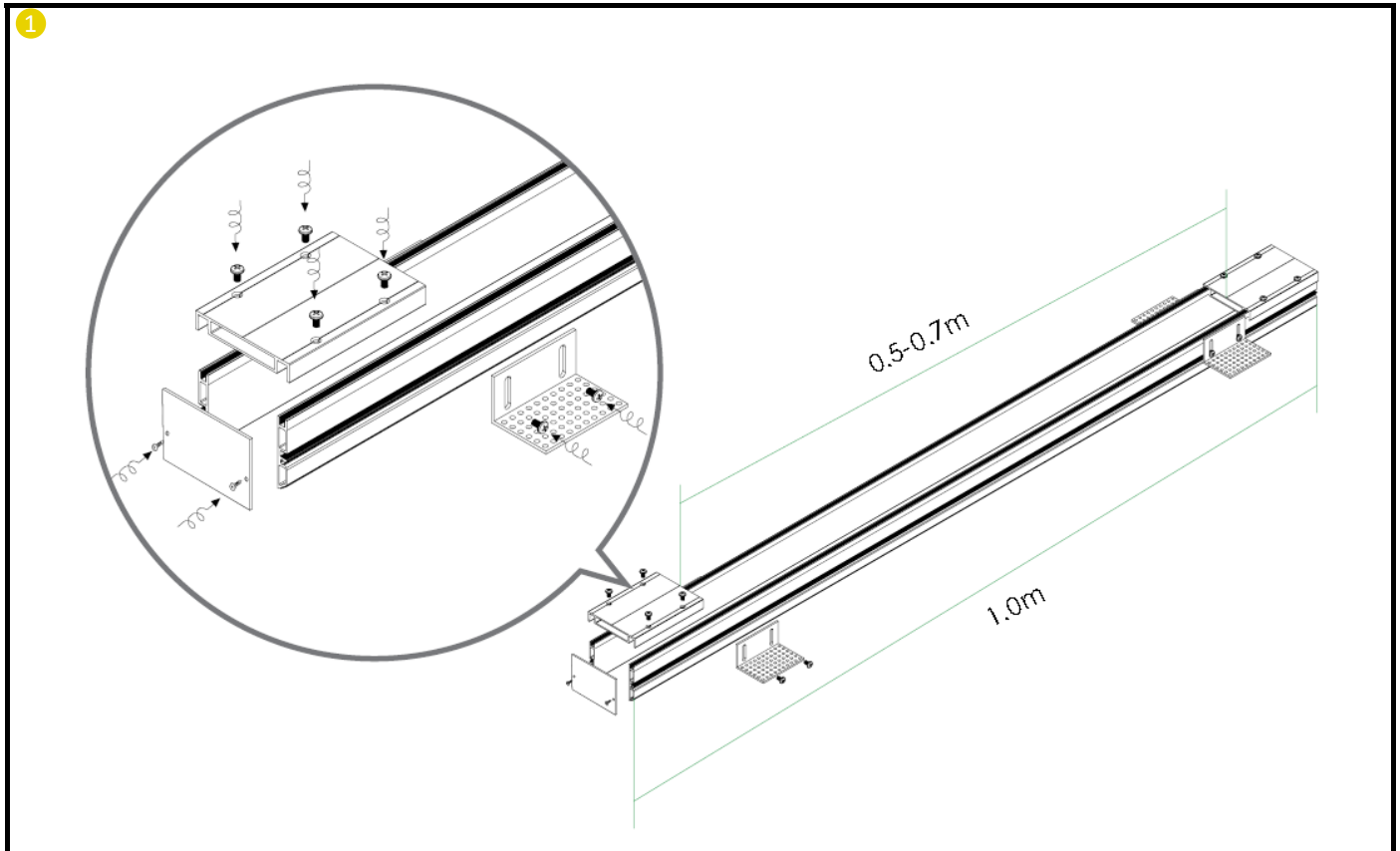
Important safety Notes

1. Switch off the electricity at the mains before commencing installation and remove the appropriate circuit fuse to avoid accidental switching on of the mains supply.
2. Make sure all connections are tight with no loose strands.
3. Ensure fire regulations are not breached when fitting your

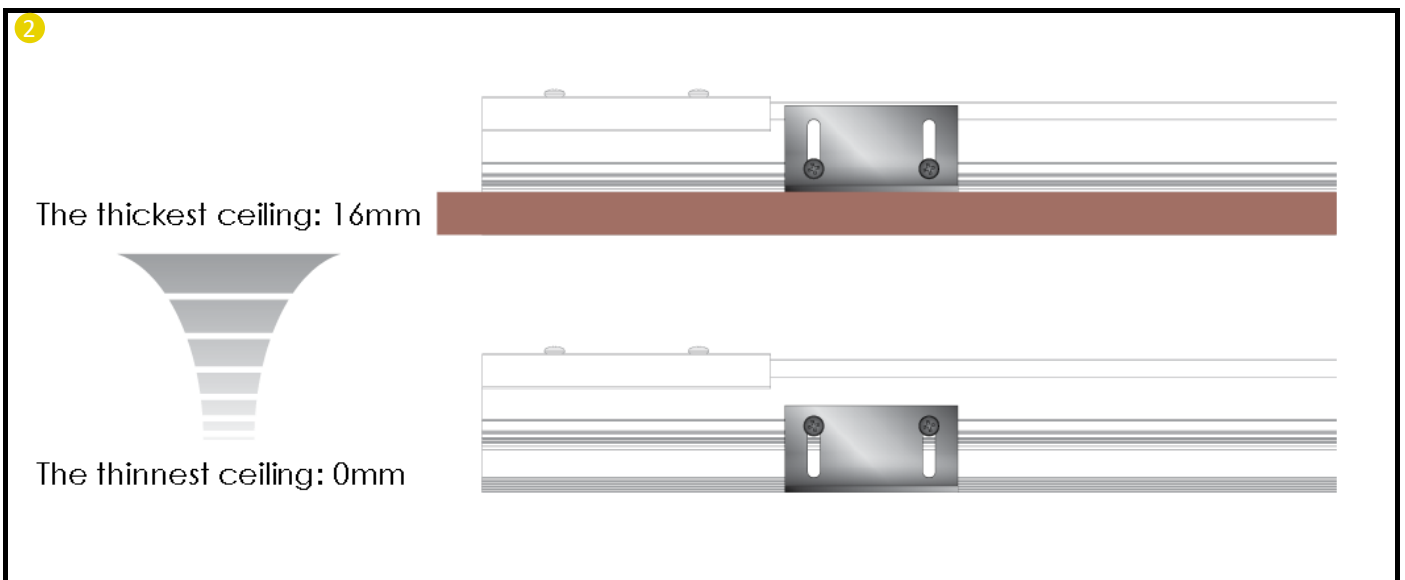
Energy Rating

This product contains a light source with an energy rating of **C**

Installation - 1st fix frame



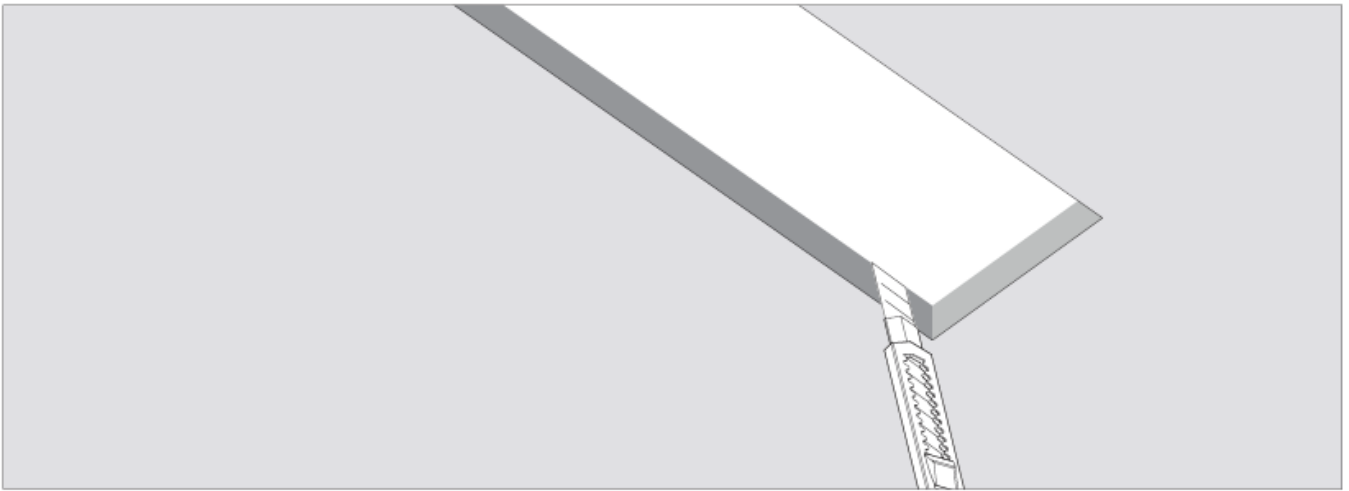
Angu fixing frame supplied pre-assembled to the required length



Angu mesh wings can be adjusted to the required depth during installation

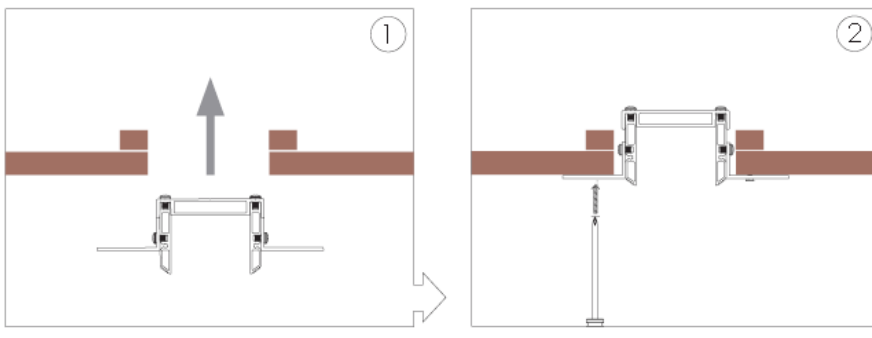
Installation - 1st fix frame

3



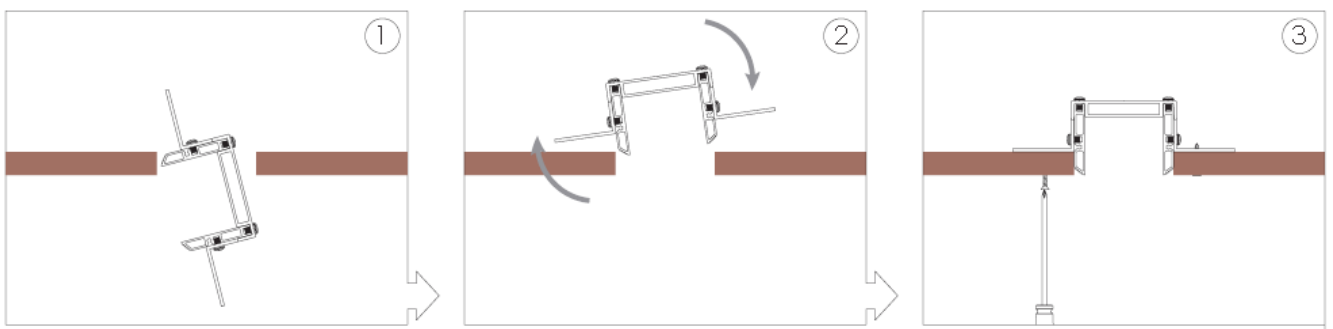
Cut the ceiling aperture

4



Option A - Rotate the fixing frame through the aperture, fix in place from under the ceiling.

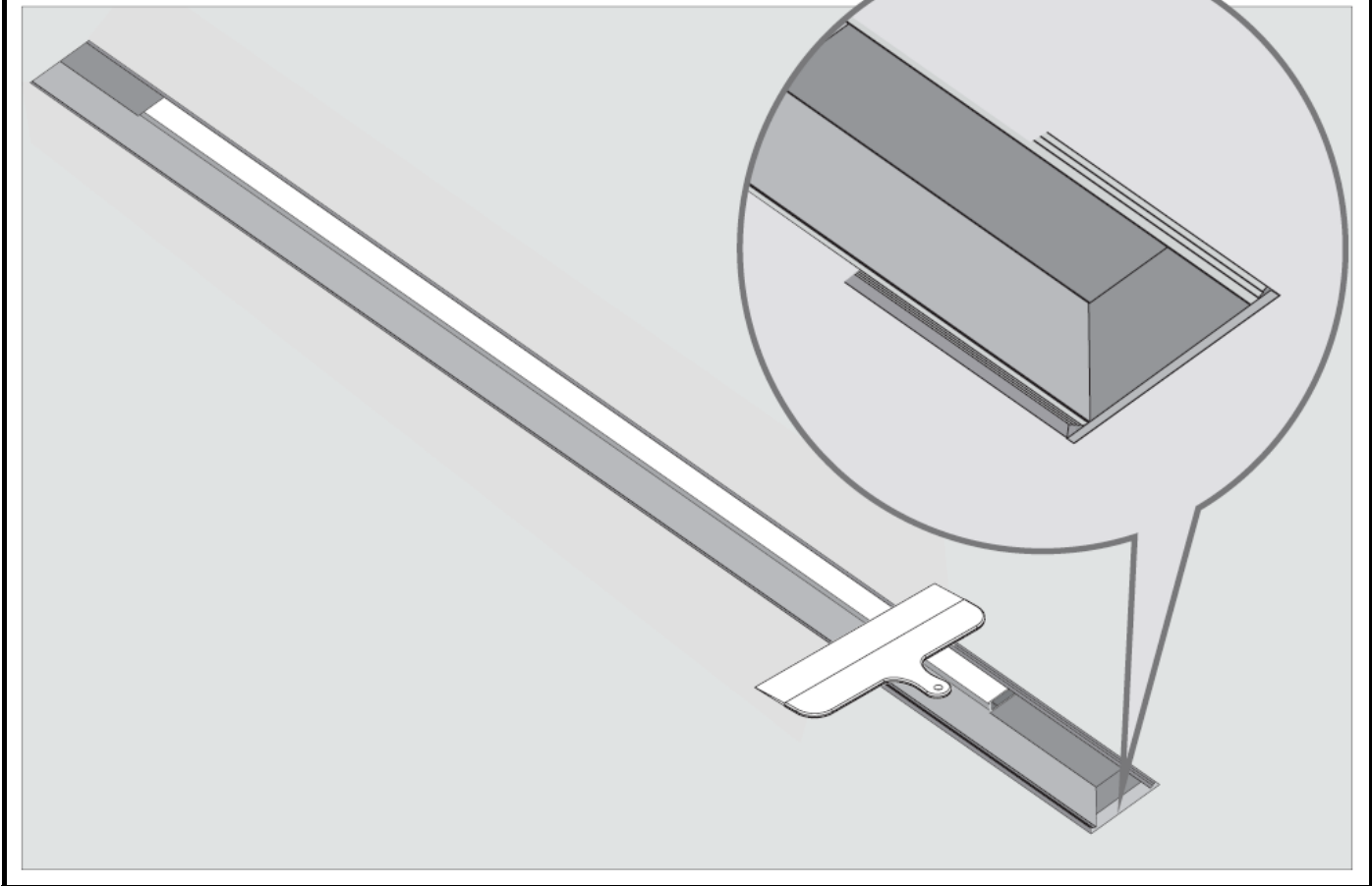
4



Option B - Rotate the fixing frame through the aperture, fix in place from under the ceiling.

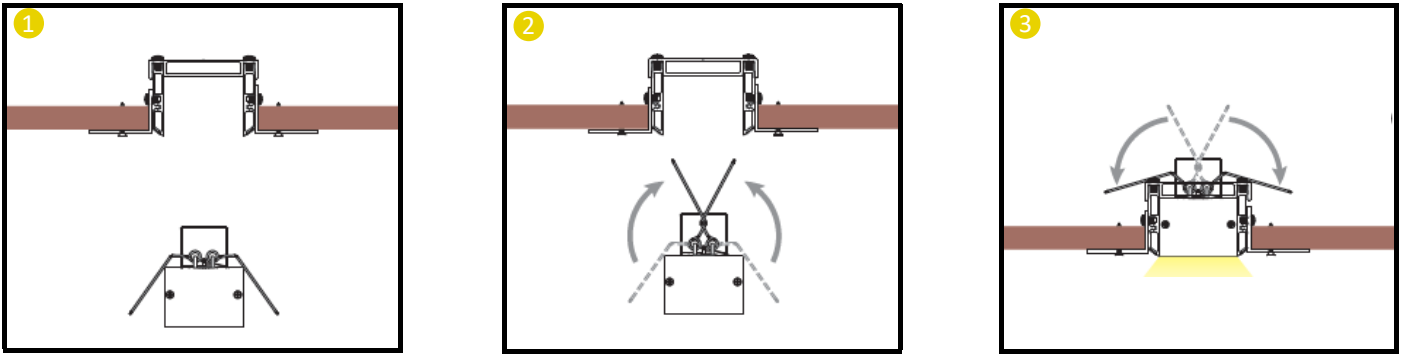
Installation - 1st fix frame

5



Skim the ceiling as required

Installation - 2nd fix luminaire



1. Terminate the power feed to the luminaire gearbox using the diagram below and offer the luminaire up to the ceiling.
2. Pull back the spring arms and feed through the aperture created by the 1st fix frame.
3. Ensure the spring arms open without obstruction and let the luminaire house its self into the 1st fix frame leaving the diffuser flush with the ceiling plane.

Wiring

