

Barracuda Track



The Barracuda Track is a low voltage (SELV) magnetic system luminaire designed to work with a range of luminaire accessories. The track can be suspended, surface and recessed (trimless). The profile measures 40 x 75mm and can be supplied in lengths of 500, 1000, 1500 & 2000mm.

Inside the track is a steel plated PCB which allows the Barracuda luminaires to simply click into place anywhere along the profile. Thanks to the inline PCB connectors the Barracuda can be powered from a single driver across multiple lengths.

Product

Barracuda Track	BAR/TRK
-----------------	---------

Module

Standalone	/0
Start	/1
Middle	/2
End	/3
Corner	/4

Length*

500mm	/500
1000mm	/1000
1500mm	/1500
2000mm	/2000
*Other lengths available upon special request	

Standard Colours*

White	RAL9016
White	RAL9010
Black	RAL9005
*Other colours available upon special request	

Mounting

Surface mounted as default	
Suspended - 2.0m suspension kit complete with ceiling rose	-S
Recessed Trim	-R
Recessed Trimless (additional first fix frame)	-TR

Dimming

Fixed output as default	
DALI dimming	-DA



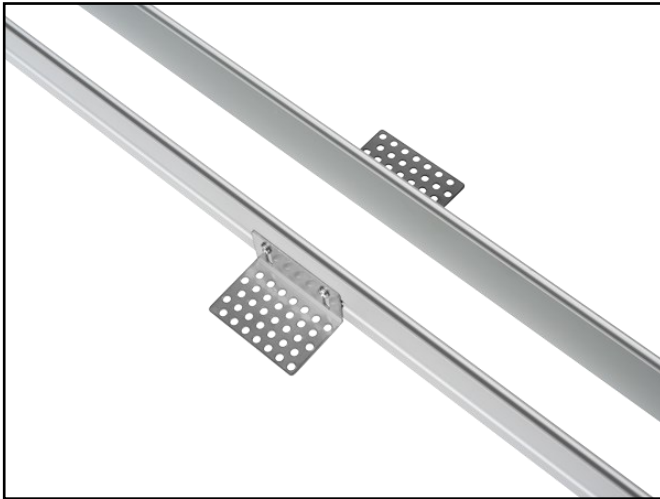
Technical Data

IP Rating	IP20
Construction	Aluminium body Steel backplate
RAL colour (standard)	9016 9010 9005
Mounting Method	Surface Suspended (2m) Recessed trimless
Protective class	SELV
Impact Resistance (IK)	IK04
Warranty	5 Years
Certification	UKCA, CE, ROHS

Electrical Data

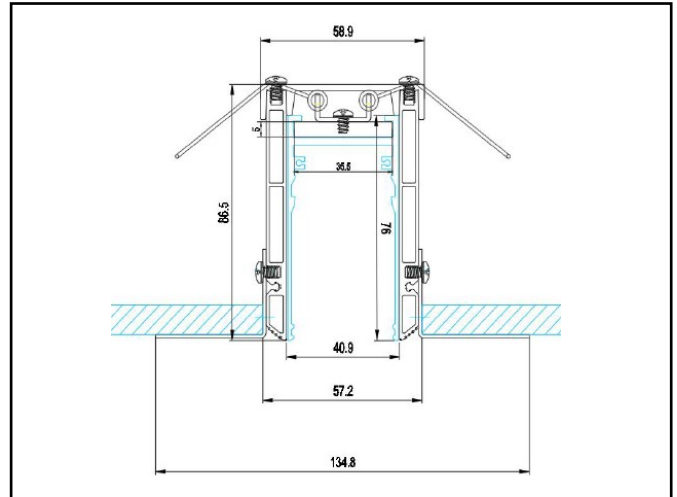
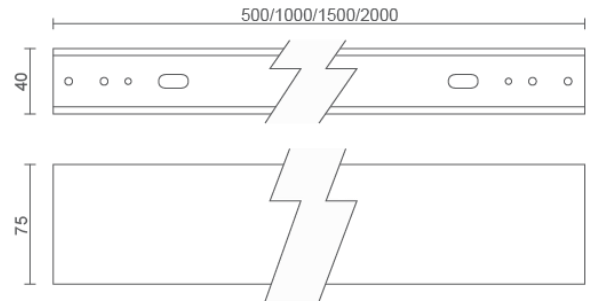
Rated Supply Voltage	220–240 V
AC Voltage Range	198–264 V
Mains Frequency	50/60 Hz
Output LF Current Ripple @ 120Hz	<5%
Overvoltage Protection	320 V
In-rush Current	2.5 A
THD	<10%
Power Factor	0.95
Parasitic Load	0.9
Operating Temperature	-25 +60 °C

Trimless Kit Accessory (-TR)



Dimensions

Fixing Centres	See installation guide
Dimensions	40 x 75mm
Weight	1.5 kg/500mm



Tel: 01489 878 406 Email: Info@bumblebee-lighting.co.uk Web: bumblebee-lighting.co.uk

Bumblebee, Unit 16 Business Park, Park Lane, Upper Swanmore, Southampton, SO32 2QQ Company No: 10464972 VAT No: 254 3859 81

BumbleBee

